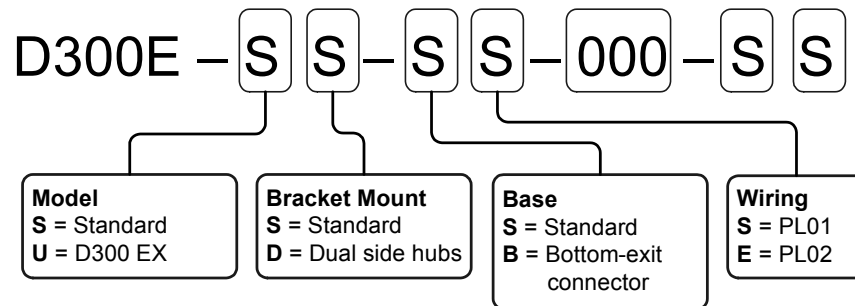


This *Configuration Guide* lists the configuration options and accessories for the PTU-D300 E Series pan-tilt units manufactured by FLIR Motion Control Systems, Inc. Additional information and instructions for PTU-D300 E Series are available in the following documents:

- PTU-D300 E Series *Datasheet*
- PTU-D300 E Series *User Manual*
- *Pan-Tilt Unit (E Series) Command Reference Manual*

## Model Numbers



## Available Options

The following configuration and options are available for the PTU-D300 E Series:

- **Bracket Mount:** Payloads can be mounted on the top and/or side. A number of bracket options are available to suit each application. Page 2.
- **Base Receptacle:** The PTU-D300 base connector may be mounted on the rear of the unit (standard) or on the bottom if you need to route wires to the unit from underneath. Page 3.
- **Payload Wiring:** Different payload pass-through wiring options are available for passing signals through the PTU to the payload. Page 3.
- **Range of Motion:** If needed, you may request special limits. Page 4.
- **Pan-Tilt Controls:** The PTU-D300 E Series can be controlled using an ASCII or binary command set, Ethernet/web connection, or external joystick. Page 5.
- **Accessories:** Available accessories include cables, converters, power supplies, and starter kits. Page 6.

### Bracket Mount

The PTU-D300 accepts payloads using a top or side. Side mounting offer the higher payload rating because it reduces tilt axis torque. The PTU-D300 itself can be mounted in any orientation; however, consideration should be given to gravity and torque effects depending on PTU-D300 orientation and payload mounting orientation and balance.

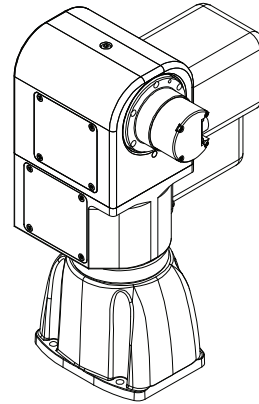
#### Single Side

The PTU-D300 comes standard with a single side hub .

**Part number:** D300E-SS-\_\_-000-\_\_

- **To order a PTU-D300 with one side-mount bracket:**

Order the PTU with one side hub (D300E-SS-\_\_-000-\_\_) plus one bracket (D300AC-BKT-LSTD).



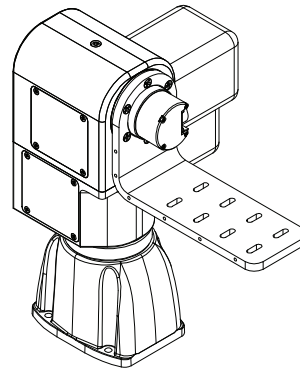
#### Dual Side

You may order the PTU-D300 with one or two optional side-mount brackets.

**Part Number:** D300AC-BKT-LSTD

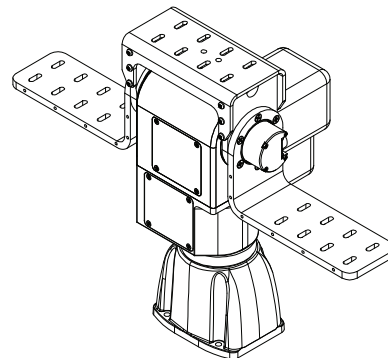
- **To order a PTU-D300 with one side-mount bracket:**

Order the PTU with two side hubs (D300E-SD-\_\_-000-\_\_) plus one bracket (D300AC-BKT-LSTD).

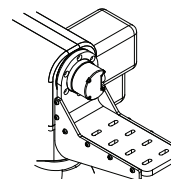


- **To order a PTU-D300 with two side-mount brackets:**

Order the PTU (D300E-SD-\_\_-000-\_\_) plus two brackets (D300AC-BKT-LSTD).



- **Heavy payloads (above 20 lbs.):** Order heavy-duty brackets for payloads that exceed 20 lbs. (D300AC-BKT-HDS)



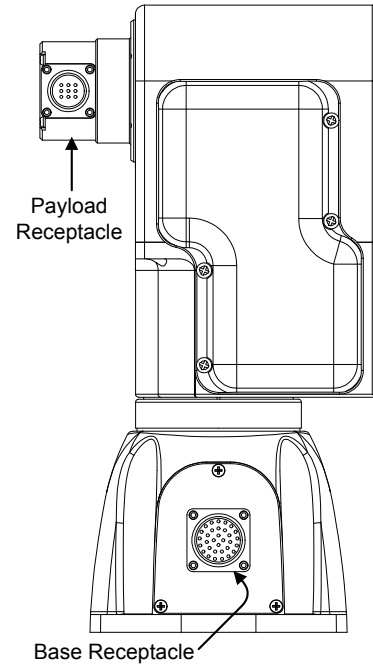
## Base Receptacle

In this configuration, the base receptacle is recessed into the bottom of the PTU instead of mounted on the rear. This allows pole and deck mounting with no exposed wiring. The base receptacle pinout and wiring are identical for both rear- and bottom-mount options.

**Part number:** D300E-\_\_-B\_-000-\_\_

## Payload Wiring

PTU-D300 units are equipped with internal pass-through wiring, which provides a 19-pin MIL-C-26402 female receptacle at the top of the PTU near the payload location to connect video, power, and other signals. (The mating connector is provided to facilitate cable construction if needed.) These signals then pass through the PTU, into the connector at the base of the unit, and the cable harness (if purchased). This option allows you to reduce the amount of external cables and eliminate potential damage to external cables.



- The payload receptacle contains lines for Video 1, Video 2, payload power, and general pass-through lines.
- The base receptacle contains lines for Video 1, Video 2, payload power, general pass-through lines, PTU control (RS-232, RS-485), and PTU power.

## PL01 Wiring

PL01 allows you to route signals to the payload as shown in the table via 10 dedicated conductors. A mating connector for cable construction is included.

**Part number:** D300E-SS-CS-000-\_\_

## PL02 Wiring

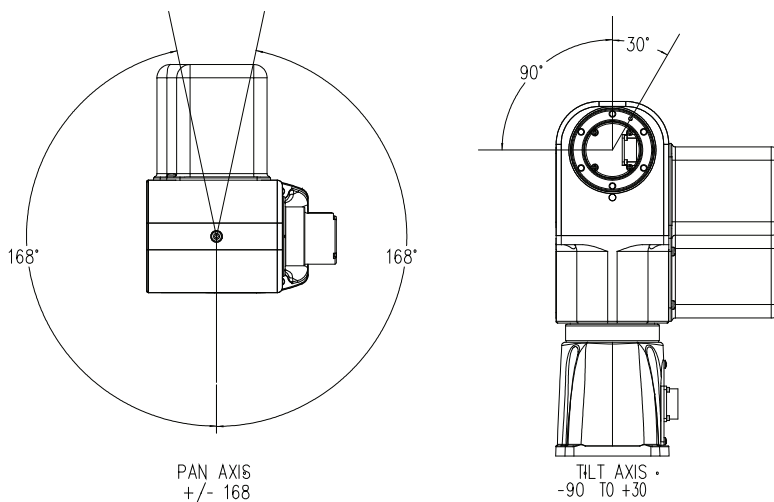
PL02 allows you to route signals to the payload as shown in the table via 13 dedicated conductors. A mating connector for cable construction is included.

**Part number:** D300E-SS-CE-000-\_\_

	PL01	PL02
	# of conductors	
<b>Pass Through</b>		
Power	3	3
Video	4	4
General	3	6
Total	10	13
<b>Signals at Payload</b>		
TTL Outputs	1	3
PTU Host Control	3	3
CHA/CHB Serial	8	8
<b>Base Connector</b>		
RS-232 Host Control	YES	NO
RS-485 Host Control	YES	YES
Ethernet/Web	YES	YES

## Range of Motion

The PTU-D300 has the following standard factory pan and tilt axis limits. Factory limits define the range of motion allowed for an axis when limits are enabled, and that axis cannot travel beyond those limits.



*Note: You may special order a PTU-D300 with custom hard stops installed and/or with custom bracket positioning, factory ranges of motion, etc. Please contact FLIR Motion Control Systems, Inc. for assistance.*

### Pan Range Options

Part number: D300E-\_\_-\_\_-000-\*\_

### Tilt Range Options

Part number: D300E-\_\_-\_\_-000-\_\*

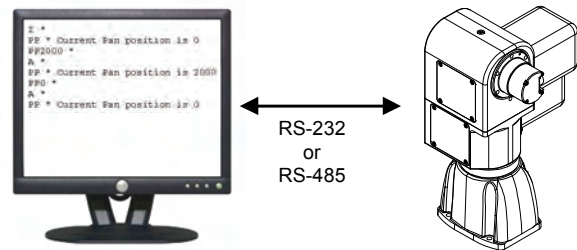
The part number on your PTU-D300 may vary as shown here to reflect any special-ordered custom limits, stops, etc.

## Pan-Tilt Control

The PTU-D300 supports serial, Ethernet/web, binary, and joystick control interfaces that provide a wide range of system control architectures. The following options are available:

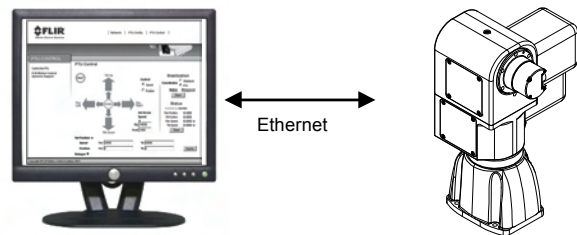
### ASCII Command Set

The PTU-D300 can be controlled via the standard built-in serial port (RS-232 or RS-485) using simple ASCII commands. (See the E Series Command Reference Manual.) This can be done using a terminal program or a custom application.



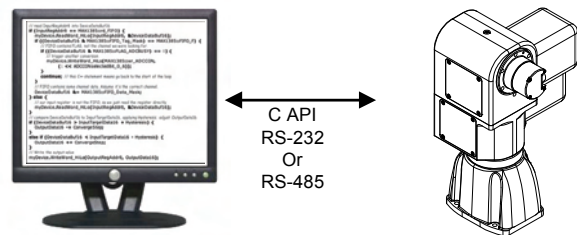
### Ethernet/Web Interface

The PTU-D300 can be controlled via the standard built-in Ethernet port and web interface. The intuitive interface makes configuration and direct control easy using a mouse and direct text entry.



### Binary Command Set (C API)

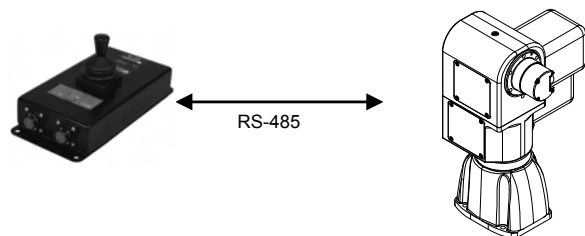
The PTU-D300 can also accept binary commands using the optional C Language Interface library (PTU-CPI), which is provided as ANSI C Source Code that you can compile into your application on most computing platforms (CPU/OS). The binary command format is recommended for high-performance applications such as tracking.



**Part number:** PTU-CPI

### Rugged Joystick

A rugged joystick (PTU-DCJ) is available for direct control of the PTU-D300 with no computer required. The PTU-DCJ provides proportional joystick control and other inputs via a 25' connection cable. (Please see the PTU-DCJ Datasheet for details.)



**Part numbers:** PT-DCJ (joystick) and PTU-E-DCJ-CABLE (25' connection cable)

### Accessories

The following accessories may be ordered for the PTU-D300. These accessories simplify system prototyping and fielding.

#### 25' Breakout Cable

The breakout cable connects to the 32-pin base connector (MIL-C-26482) on the PTU-D300 and terminates to standard connectors for power, serial communication, Ethernet, and payload signals. The terminating connectors are:

Power (DIN), 2x video (composite), RS-232 (DB-9, female), RS-485 (RJ11), Ethernet (RJ45), and payload pass-through conductors.

**Part number:** PTU-CAB-E-25BO



#### Power Supply

PTU power supply unit. 30VDC output, 110/220VAC input.

Dimensions: 3.44"W x2.01"Hx7.61"L.



*Note: Input voltages under 30V can reduce the maximum speed of the unit by an amount that is proportional to the voltage difference.*

**Part number:** PTU-AC-APS-30V



#### Starter Kit

The PTU starter kit includes one power supply (PTU-AC-APS-30V), one 25' breakout cable (PTU-AC-CAB-25BO), and one RS-485 to RS-232 converter (PTU-CONV-RS485C).



*Note: Input voltages under 30V can reduce the maximum speed of the unit.*

**Part number:** PTU-KIT-E-STR

#### Extension Cables

An extension cable extends the length of the breakout cable. There is a male connector on one end and a female connector on the other. Available in 50' and 100' lengths.

**Part numbers:** PTU-CAB-E-EXT-50 (50') or  
PTU-CAB-E-EXT-100 (100')



## Mating Connector

Mating connector for the 32-pin base (MIL-C-26482) and 19-pin payload (IL-C-26402) PTU connectors. Use this to make custom PTU and/or payload cables.

**Part numbers:** [PTU-CABLE01-19PMILC](#) (19-pin payload) or  
[PTU-CABLE03-32PMILC](#) (32-pin base)



## RS-485 to RS-232 Converter

Bi-directional module that converts signals from RS-232 to RS-485. Includes power supply, coupler, and cable.

**Part number:** [PTU-CONV-RS485C](#)



## Rugged Joystick and Cable

This rugged joystick allows PTU control without a host computer. Cable ordered separately.

**Part numbers:** [PT-DCJ](#) (joystick) and  
[PTU-DCJE-CABLE](#) (25' DCJ connection cable)



## E Series PL01/PL02 Adapter Cable

These cables allow you to connect an E series PTU to an existing D series setup without rewiring, except that the Ethernet/web connection will not be available. Make sure to order the correct cable for your wiring setup (PL01 or PL02).

**Part numbers:** [PTU-CAB-E-AD-PL01](#) (PL01) or  
[PTU-CAB-E-AD-PL02](#) (PL02)



Kane Computing Ltd  
1 Verdin Street  
Northwich  
Cheshire  
CW9 7BX  
Tel: +44(0)1606 351006  
Email: [sales@kanecomputing.com](mailto:sales@kanecomputing.com)  
Web: [www.kanecomputing.co.uk](http://www.kanecomputing.co.uk)